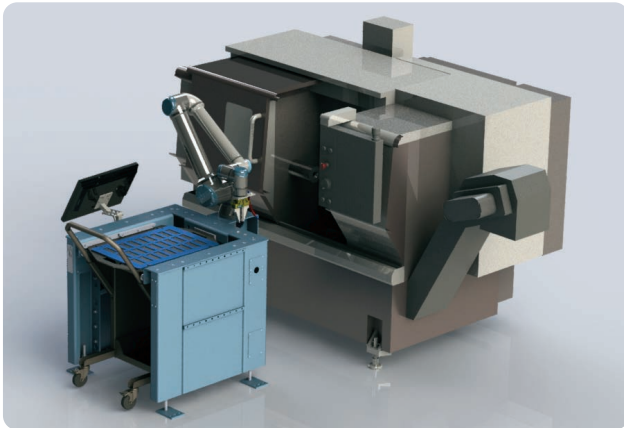


# Cross Automated Machine Tending



Turn-key, mobile platform with collaborative robot makes deploying and repurposing quick and efficient

Designed to increase efficiency and reduce labor costs associated with manual machine tending

Available on a small, mobile or large, fixed platforms depending on application needs

Can handle parts up to 26 lbs

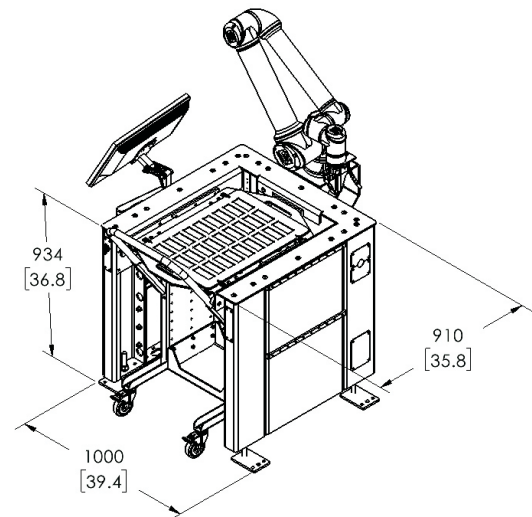
## Available Models

### Compact and Mobile

- Used with a UR3e or UR5e
- Can be moved and re-deployed by a single person
- Limited parts management
- Best suited for high mix, lower volume parts

### Small with Extended No Operator Interaction Runtime

- can be used with UR5e, UR10e, or UR16e
- Uses cart system to move parts in and out
- Carts can have multiple layers to maximize runtime without an operator
- Optional casters to help with redeployment



### Multi Machine

- Uses 7th axis to have 1 robot tend multiple machines
- Very application dependent and largely customized based on machines, parts geometry, throughput requirements, and required travel distance
- Fixed to floor and not re-deployable

